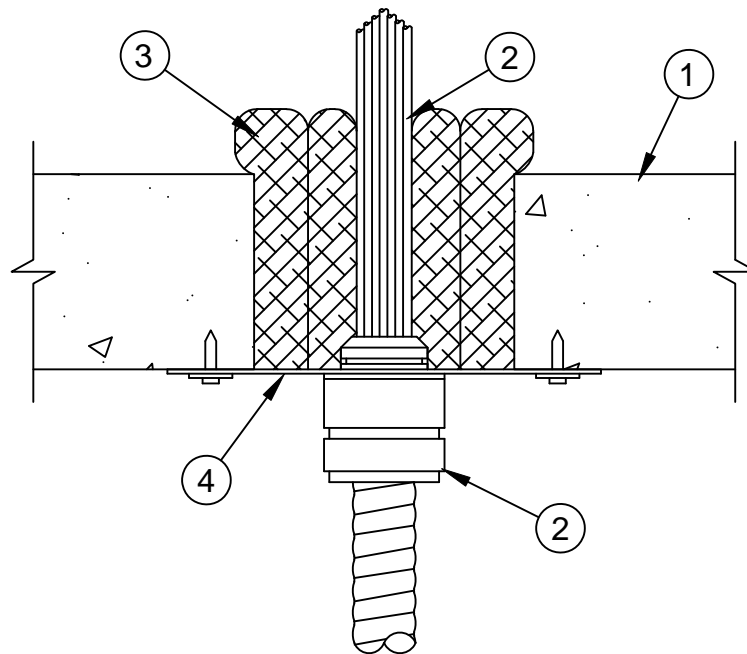


System No. F-A-3051

F Rating - 3 Hr
T Rating - 1/2 Hr



1. **Floor Assembly** - Min 4-1/2 in. (114 mm) thick reinforced lightweight or normal weight (100-150 pcf or 1600-2400 kg/m³) concrete floor. Floor may also be constructed of any min 6 in. (152 mm) thick UL Classified hollow-core **Precast Concrete Units***. Max diam of opening is 6 in. (152 mm).

See **Precast Concrete Units** (CFTV) categories in the Fire Resistance Directory for names of manufacturers.
2. **Through Penetrant** - Nom 1-1/2 in. (38 mm) diam (or smaller) multi-conductor No. 10 AWG (or smaller) Teck cable and corresponding aluminum cable fitting with elastomeric o-ring, aluminum body, grounding ring, aluminum gland nut, elastomeric bushing, and retaining ring. Cable with fitting secured to composite sheet (Item 4) in accordance with instructions provided with Teck cable fitting.
3. **Fill, Void, or Cavity Material*** - **Pillows** - Nom 6 in. (152 mm) wide firestop pillows compressed and tightly-packed, edge-first, into annular space above composite sheet (Item 4).

SPECIFIED TECHNOLOGIES INC - SpecSeal Firestop Pillows

4. **Fill, Void, or Cavity Material*** - **Composite Sheet** - Foil-faced sheet with galv steel sheet backer. Sheet to be installed as one piece sized to lap min 2 in. (51 mm) on concrete at bottom of floor. Opening in center of composite sheet sized to accommodate Teck cable and corresponding fitting. Sheet to be installed with the galv steel sheet backer exposed (aluminum foil facing against floor surface) and secured to bottom of floor with min 3/16 in. (5 mm) diam by 1-1/4 in. (32 mm) long steel concrete screws in conjunction with min 1-1/4 in. (32 mm) diam steel fender washers. Spacing of fasteners not to exceed 6 in. (152 mm) OC

SPECIFIED TECHNOLOGIES INC - SpecSeal CS Composite Sheet

*Bearing the UL Classification Mark



Specified Technologies Inc. 210 Evans Way Somerville, NJ 08876

Reproduced courtesy of Underwriters Laboratories, Inc.
Created or Revised: May 23, 2008

(800)992-1180 • (908)526-8000 • FAX (908)231-8415 • E-Mail:techserv@stifirestop.com • Website:www.stifirestop.com



F-A-3051
PAGE 1 OF 1