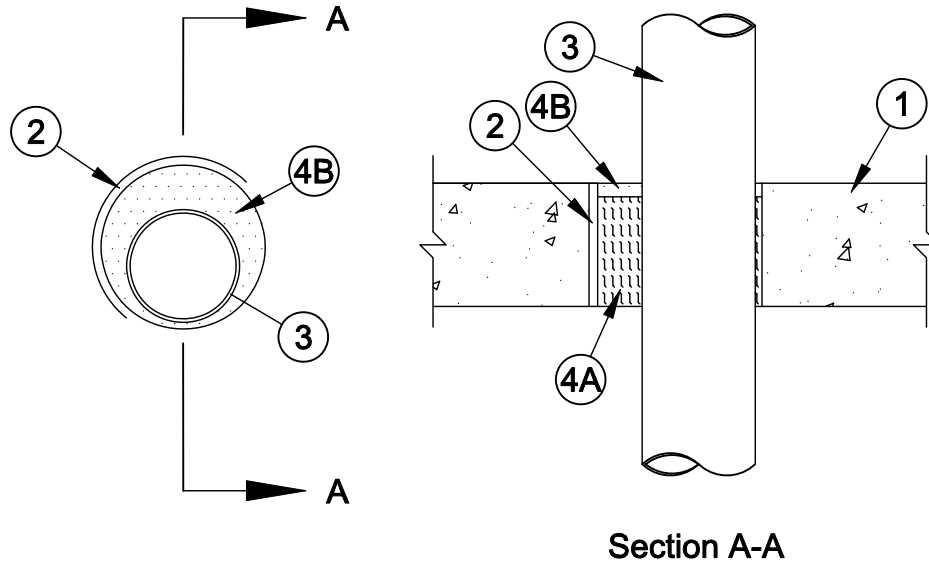




System No. C-AJ-1319

F Rating - 3 Hr

T Rating - 0 Hr



Section A-A

1. **Floor or Wall Assembly** - Min 4-1/2 in. thick reinforced lightweight or normal weight (100-150 pcf) concrete. Floor may also be constructed of any UL Classified hollow core **Precast Concrete Units***. Wall may also be constructed of any UL Classified **Concrete Blocks***. Max diam of opening is 6 in.
See **Concrete Blocks** (CAZT) and **Precast Concrete Units** (CFTV) categories in the Fire Resistance Directory for names of manufacturers.
2. **Nonmetallic Sleeve** - (Optional) - Nom 6 in. diam (or smaller) Schedule 40 polyvinyl chloride pipe sleeve cast or grouted into concrete flush with both surfaces of floor or wall.
3. **Through Penetrant** - One metallic pipe, conduit or tubing to be installed either concentrically or eccentrically within the firestop system. The annular space between the pipe, conduit or tubing and the periphery of the opening shall be min 1/4 in. to max 1-3/4 in. Pipe, conduit or tubing to be rigidly supported on both sides of floor or wall assembly. The following types and sizes of metallic pipes, conduits or tubing may be used:
 - A. **Steel Pipe** - Nom 4 in. diam (or smaller) Schedule 10 (or heavier) steel pipe.
 - B. **Iron Pipe** - Nom 4 in. diam (or smaller) cast or ductile iron pipe.
 - C. **Conduit** - Nom 4 in. diam (or smaller) rigid steel conduit, nom 4 in. diam (or smaller) steel electrical metallic tubing or nom 1 in. diam (or smaller) flexible steel conduit.
 - D. **Copper Tubing** - Nom 4 in. diam (or smaller) Type L (or heavier) copper tubing.
 - E. **Copper Pipe** - Nom 4 in. diam (or smaller) Regular (or heavier) copper pipe.
4. **Firestop System** - The firestop system shall consist of the following:
 - A. **Packing Material** - Min 4 in. thickness of 4 pcf mineral wool batt insulation compressed and firmly packed into opening as permanent form. Packing material to be recessed from top surface of floor or from both surfaces of wall as required to accommodate the required thickness of fill material. In floors constructed of hollow-core precast concrete units, mineral wool packing material to extend below exposed cores in precast concrete units.
 - B. **Fill, Void or Cavity Material*-Sealant** - Min 1/2 in. thickness of fill material applied within the annulus flush with top surface of floor or with both surfaces of wall.

SPECIFIED TECHNOLOGIES INC - SpecSeal Series SSS Sealant or SpecSeal LCI Sealant

*Bearing the UL Classification Mark



Specified Technologies Inc. 210 Evans Way Somerville, NJ 08876

Reproduced courtesy of Underwriters Laboratories, Inc.

Created or Revised: January 2, 2009

(800)992-1180 • (908)526-8000 • FAX (908)231-8415 • E-Mail:techserv@stifirestop.com • Website:www.stifirestop.com



C-AJ-1319
PAGE 1 OF 1