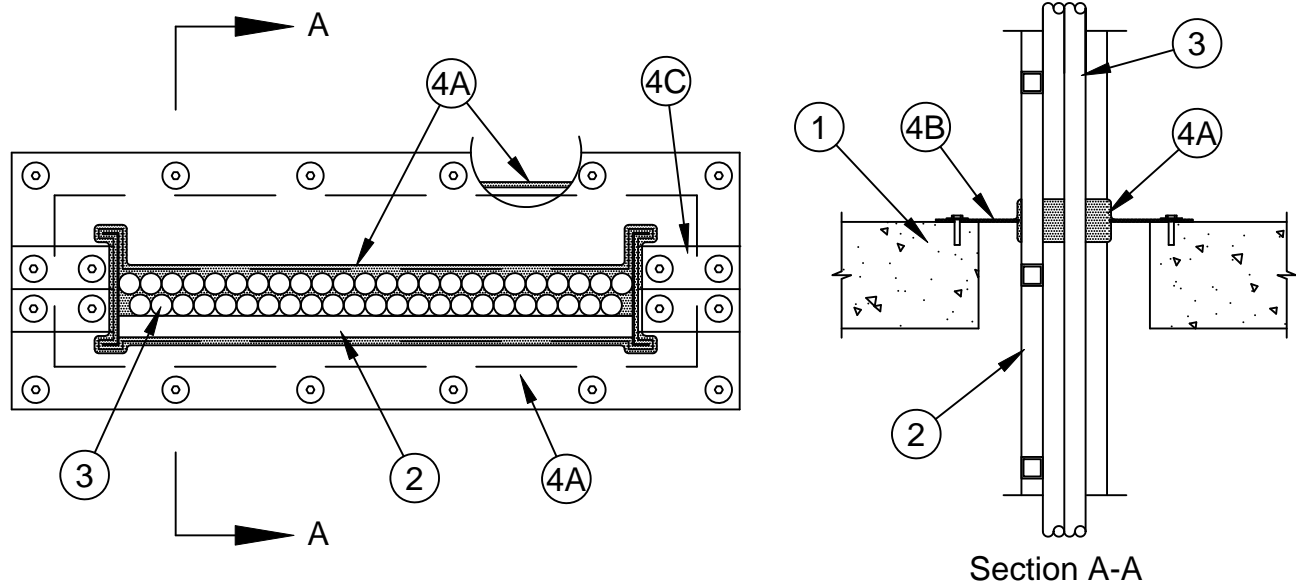


System No. C-AJ-4005

F Rating - 2 Hr
FT Rating - 1/4 Hr
FH Rating - 2 Hr
FTH Rating - 1/4 Hr



- Floor or Wall Assembly** - Min 114 mm (4-1/2 in.) thick lightweight or normal weight (1600-2400 kg/m³ or 100-150 pcf) concrete. Wall may also be constructed of any UL Classified **Concrete Blocks***. The opening shall be sized to be min 51 mm (2 in.) to max 152 mm (6 in.) greater than the width dimension of the cable tray and min 51 mm (2 in.) to max 102 mm (4 in.) greater than the depth dimension of the cable tray.
See **Concrete Blocks** (CAZT) category in the Fire Resistance Directory for names of manufacturers.
- Cable Tray** - Max 610 mm (24 in.) wide by max 127 mm (5 in.) deep open ladder cable tray with channel-shaped side rails formed from min 1.5 mm (0.060 in.) thick (No. 16 MSG) galv steel or min 1.5 mm (0.060 in.) thick aluminum with rungs spaced max 229 mm (9 in.) OC. Annular space between cable tray and edge of opening to be min 25 mm (1 in.) to max 76 mm (3 in.). Cable tray to be supported on both sides of floor or wall assembly.
- Cables** - Aggregate cross-sectional area of cables in cable tray not to exceed 39 percent of the cross-sectional area of the cable tray based on a max 76 mm (3 in.) cable loading depth within the cable tray. Any combination of the following types and sizes of cables may be used:
 - Max 750 kcmil single conductor power cables with cross linked polyethylene (XLPE) insulation.
 - Max 7/C No. 12 AWG multiconductor power and control cables; XLPE or polyvinyl chloride (PVC) insulation, XLPE or PVC jacket.
 - Max 300 pair No. 24 AWG copper conductor communication cable with PVC insulation and jacket material.
 - Multiple fiber optical communication cable with PVC jacket.



Specified Technologies Inc. 210 Evans Way Somerville, NJ 08876

Reproduced courtesy of Underwriters Laboratories, Inc.
Created or Revised: May 29, 2008

(800)992-1180 • (908)526-8000 • FAX (908)231-8415 • E-Mail:techserv@stifirestop.com • Website:www.stifirestop.com



C-AJ-4005
PAGE 1 OF 2

4. **Firestop System** - The firestop shall consist of the following:

- A. **Fill, Void or Cavity Materials* - Caulk or Putty** - Apply caulk or putty into interstices between cables to max extent possible and into annular space between the cables or cable tray and the edges of the opening in composite sheet. One min 5 mm (3/16 in.) thick by 51 mm (2 in.) wide band of caulk or putty required around entire periphery of cables and cable tray installed to project approx 25 mm (1 in.) beyond each face of the composite sheet (Item 4B) on the top surface of the floor or on both sides of the wall assembly. Nom 6 mm (1/4 in.) cove bead of caulk or putty applied around caulk or putty band/composite sheet interface on the top surface of the floor or on both sides of the wall. A nominal 6 mm (1/4 in.) diam bead of caulk or "rope" of putty to be positioned as a gasket beneath the composite sheet around entire perimeter of through opening on the top surface of the floor or on both sides of the wall.

SPECIFIED TECHNOLOGIES INC - SpecSeal Putty, SpecSeal 100, 101, 102, 120, 129 or 105 Sealant or SpecSeal LCI Sealant

- B. **Fill, Void or Cavity Materials* - Composite Sheet** - Rigid aluminum foil-faced intumescent sheet with steel mesh and galv steel sheet backer. Sheets cut to tightly follow the contours of the cable tray and the cable fill with a clearance of 3 to 6 mm (1/8 to 1/4 in.). Sheets cut to lap a min of 51 mm (2 in.) on the floor or wall surfaces. Sheets to be installed on top surface of the floor or on both sides of wall with the foil facing against the floor or wall surface. Sheets secured with min 5 mm (3/16 in.) diam by 32 mm (1-1/4 in.) long steel concrete screws in conjunction with min 32 mm (1-1/4 in.) diam steel fender washers. Spacing of fasteners not to exceed 152 mm (6 in.) OC with additional fasteners located on each side of butted seams or slits made to permit installation of the sheet around the cable tray.

SPECIFIED TECHNOLOGIES INC - SpecSeal CS Composite Sheet

- C. **Steel Cover Strip** - Min 76 mm (3 in.) wide strip of min 0.51 mm (0.020 in.) thick (26 gauge) galv steel centered over entire length of each butted seam or slit made in the composite sheet (Item 4B). Prior to installation of the steel strip, the seam or slit in the sheet shall be covered with a nom 3 by 13 mm (1/8 by 1/2 in.) ribbon of putty or a nom 6 mm (1/4 in.) diam bead of putty (Item 4A). Steel cover strip secured to galv steel sheet backer of composite sheet with steel sheet metal screws spaced max 76 mm (3 in.) OC on each side of seam or slit.

*Bearing the UL Classification Mark



Specified Technologies Inc. 210 Evans Way Somerville, NJ 08876

Reproduced courtesy of Underwriters Laboratories, Inc.

Created or Revised: May 29, 2008

(800)992-1180 • (908)526-8000 • FAX (908)231-8415 • E-Mail:techserv@stifirestop.com • Website:www.stifirestop.com



C-AJ-4005
PAGE 2 OF 2