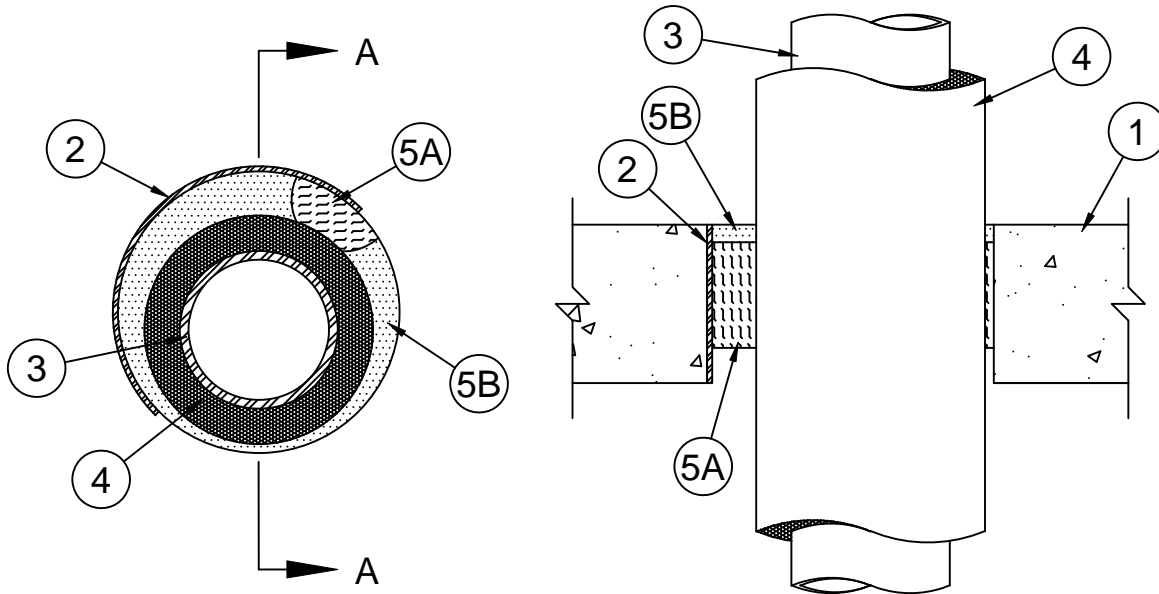


System No. C-AJ-5009

F Rating - 2 Hr
FT Rating - 3/4 Hr
FH Rating - 2 Hr
FTH Rating - 3/4 Hr



Section A-A

1. **Floor or Wall Assembly** - Min 64 mm (2-1/2 in.) thick reinforced lightweight or normal weight (1600 - 2400 kg/m³ or 100-150 pcf) concrete floor. Floor may also be constructed of any min 152 mm (6 in.) thick hollow-core **Precast Concrete Units***. Wall may also be constructed of any UL Classified **Concrete Blocks***. Max diam of opening is 152 mm (6 in.)

See **Concrete Blocks** (CAZT) or **Precast Concrete Units** (CFTV) categories in the Fire Resistance Directory for names of manufacturers.

2. **Steel Sleeve** - (Optional) - Nom 152 mm (6 in.) diam (or smaller) Schedule 10 (or heavier) steel pipe cast or grouted into floor or wall assembly, flush with floor or wall surfaces. When floor or wall is min 114 mm (4-1/2 in.) thick, steel sleeve may extend a max of 76 mm (3 in.) beyond the floor or wall surfaces.
3. **Through Penetrant** - One metallic pipe or tube to be installed eccentrically or concentrically within the firestop system. Pipe or tube to be rigidly supported on both sides of the floor or wall assembly. The following types and sizes of metallic pipes and tubes may be used:
 - A. **Steel Pipe** - Nom 102 mm (4 in.) diam (or smaller) Schedule 5 (or heavier) steel pipe.
 - B. **Iron Pipe** - Nom 102 mm (4 in.) diam (or smaller) cast or ductile iron pipe.
 - C. **Copper Pipe** - Nom 51 mm (2 in.) diam (or smaller) regular (or heavier) copper pipe.
 - D. **Copper Tube** - Nom 51 mm (2 in.) diam (or smaller) Type L (or heavier) copper tube.
4. **Tube Insulation - Plastics#** - Nom 13 mm or 19 mm (1/2 or 3/4 in.) thick acrylonitrile butadiene/polyvinyl chloride (AB/PVC) flexible foam furnished in the form of tubing. Annular space is dependent upon a number of variables, as shown in the table under Item 5B.

See **Plastics** (QMFZ2) category in the Plastics Recognized Component Directory for names of manufacturers. Any Recognized Component tube insulation meeting the above specifications and having a UL 94 Flammability Classification of 94-5VA may be used.



Specified Technologies Inc. 210 Evans Way Somerville, NJ 08876

Reproduced courtesy of Underwriters Laboratories, Inc.
Created or Revised: May 29, 2008

(800)992-1180 • (908)526-8000 • FAX (908)231-8415 • E-Mail:techserv@stifirestop.com • Website:www.stifirestop.com



C-AJ-5009
PAGE 1 OF 2

5. **Firestop System** - The firestop system shall consist of the following:

- A. **Packing Material** - Min 64 kg/m³ (4 pcf) mineral wool batt insulation compressed and tightly packed to the thickness shown in the table under Item 5B . Packing material recessed from top surface of floor or both surfaces of wall as required to accommodate fill material (Item 5B). In floors constructed of hollow-core precast concrete units, packing material to be recessed from both top and bottom surfaces of floor, as required to accommodate fill material.
- B. **Fill, Void or Cavity Material* - Sealant** - Fill material applied within annulus, flush with top surface of floor assembly or both surfaces of wall assembly to the thickness shown in the table below. In floors constructed of hollow-core precast concrete units, fill material installed symmetrically on both surfaces of floor. At point contact location, min 1/4 in. diam bead of fill material applied at insulated metallic pipe/concrete interface on top surface of floor or both surfaces of wall or precast concrete units.

| Floor or Wall Thkns, mm (in.) | Steel Sleeve | Pipe Covering Thickness, (mm (in.)) | Annular Space, mm (in.) | Packing Depth, mm (in.) | Fill Material Depth, mm (in.) |
|-------------------------------|--------------|-------------------------------------|---------------------------|-------------------------|-------------------------------|
| 64 (2-1/2) | Yes | 19 (3/4) | 6 to 16 (1/4 to 5/8) | 38 (1-1/2) | 25 (1) |
| 114 (4-1/2) | No | 19 (3/4) | 6 to 41 (1/4 to 1-5/8) | 76 (3) | 25 (1) |
| 114 (4-1/2) | Yes | 13 (1/2) | 6 to 41 (0 to 2) | 76 (3) | 13 (1/2) |
| 114 (4-1/2) | Yes | 13 (1/2) | 6 to 41 (1/4 to 1-5/8) | 76 (3) | 13 (1/2) |

SPECIFIED TECHNOLOGIES INC - SpecSeal LCI Sealant

*Bearing the UL Classification Mark

#Bearing the UL Recognized Component Mark



Specified Technologies Inc. 210 Evans Way Somerville, NJ 08876

Reproduced courtesy of Underwriters Laboratories, Inc.
Created or Revised: May 29, 2008

(800)992-1180 • (908)526-8000 • FAX (908)231-8415 • E-Mail:techserv@stifirestop.com • Website:www.stifirestop.com



C-AJ-5009
PAGE 2 OF 2