



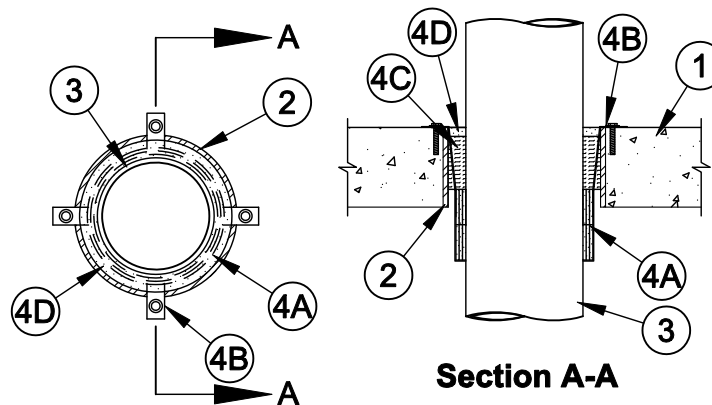
System No. F-A-2023

F Rating - 2 Hr

T Rating - 3/4 Hr

L Rating at Ambient - 1 CFM/sq ft

L Rating At 400 F - Less Than 1 CFM/sq ft



1. **Floor Assembly** - Min 4-1/2 in. thick reinforced lightweight or normal weight (100-150 pcf) concrete. Max diam of opening is 8-5/8 in.
2. **Metallic Sleeve** - (Optional) Nom 8 in. diam (or smaller) Schedule 40 (or heavier) steel sleeve cast or grouted into floor assembly, flush with floor surfaces.
3. **Through Penetrants** - One nonmetallic pipe or conduit to be centered within the firestop system. A nom annular space of 11/16 in. is required within the firestop system. Pipe or conduit to be rigidly supported on both sides of the floor assembly. The following types and sizes of nonmetallic pipes or conduits may be used:
 - A. **Polyvinyl Chloride (PVC) Pipe** - Nom 6 in. diam (or smaller) Schedule 40 solid core PVC pipe for use in closed (process or supply) or vented (drain, waste, or vent) piping systems.
 - B. **Flame Retardant Polypropylene (FRPP) Pipe** - Nom 6 in. diam (or smaller) Schedule 40 FRPP pipe for use in closed (process or supply) or vented (drain, waste or vent) piping systems.
 - C. **Chlorinated Polyvinyl Chloride (CPVC) Pipe** - Nom 6 in. diam (or smaller) SDR 17 CPVC pipe for use in closed (process or supply) or vented (drain, waste or vent) piping systems.
 - D. **Rigid Nonmetallic Conduit+** - Nom 6 in. diam (or smaller) Schedule 40 PVC conduit installed in accordance with Article 347 of the National Electrical Code (NFPA No. 70).
4. **Firestop System** - The firestop system shall consist of the following:
 - A. **Fill, Void or Cavity Material* - Wrap Strip** - Nom 3/16 in. thick intumescent material faced on both sides with a plastic film, supplied in 2 in. wide strips. Two stacks of wrap strips, each consisting of three wrap strips are individually wrapped around the through penetrant with the ends butted and held in place with masking tape. Butted ends in successive layers may be aligned or offset.

SPECIFIED TECHNOLOGIES INC - SpecSeal BLU Wrap Strip



Specified Technologies Inc. 210 Evans Way Somerville, NJ 08876

Reproduced courtesy of Underwriters Laboratories, Inc.

Created or Revised: January 2, 2009

(800)992-1180 • (908)526-8000 • FAX (908)231-8415 • E-Mail:techserv@stifirestop.com • Website:www.stifirestop.com



F-A-2023
PAGE 1 OF 2

- B. **Steel Collar** - Collar fabricated from coils of precut 0.022 in. thick (26 MSG) galv sheet steel available from wrap strip manufacturer. Collar shall be nom 4 in. deep with min four 1 in. wide by 2 in. long anchor tabs. Retainer tabs, 3/4 in. wide tapering down to 1/4 in. wide and located opposite the anchor tabs are folded 90 degree toward through-penetrant to maintain the annular space around the through-penetrant and to retain the wrap strips. Prior to installation of steel collar, 3/4 in. wide by 8 in. long by 0.0150 in. thick galv steel hanger strips shall be attached to min four of the anchor tabs by means of 1/4 in. diam by 1/2 in. long steel bolts in conjunction with steel nuts. Steel collar wrapped around wrap strips and through-penetrant with a 1 in. wide overlap along its perimeter joint and secured together by means of three No. 8 by 1/2 in. long steel screws. Steel collar/ wrap strip assembly slid along through-penetrant into annulus of opening until the top edge of steel collar/wrap strip assembly extends 1 in. above the bottom surface of floor. Hanger strips shall be bent 90 degree outward and attached to the top surface of floor by means of 1/4 in. diam by 1-3/4 in. diam long concrete fasteners. Hanger strips shall extend a min 1-1/2 in. onto the top surface of concrete floor.
- C. **Packing Material** - Min 3 in. thickness of min 4 pcf mineral wool batt insulation firmly packed to completely fill the annular space between the steel collar and fill material as a permanent form. Packing material to be recessed from top surface of floor as required to accommodate the required thickness of fill material.
- D. **Fill, Void or Cavity Material* - Sealant** - Min 1/2 in. thickness of fill material applied within the annulus, flush with top surface of floor.

SPECIFIED TECHNOLOGIES INC - SpecSeal Series SSS Sealant or SpecSeal LCI Sealant

*Bearing the UL Classification Mark



Specified Technologies Inc. 210 Evans Way Somerville, NJ 08876

Reproduced courtesy of Underwriters Laboratories, Inc.
Created or Revised: January 2, 2009

(800)992-1180 • (908)526-8000 • FAX (908)231-8415 • E-Mail:techserv@stifirestop.com • Website:www.stifirestop.com



F-A-2023
PAGE 2 OF 2