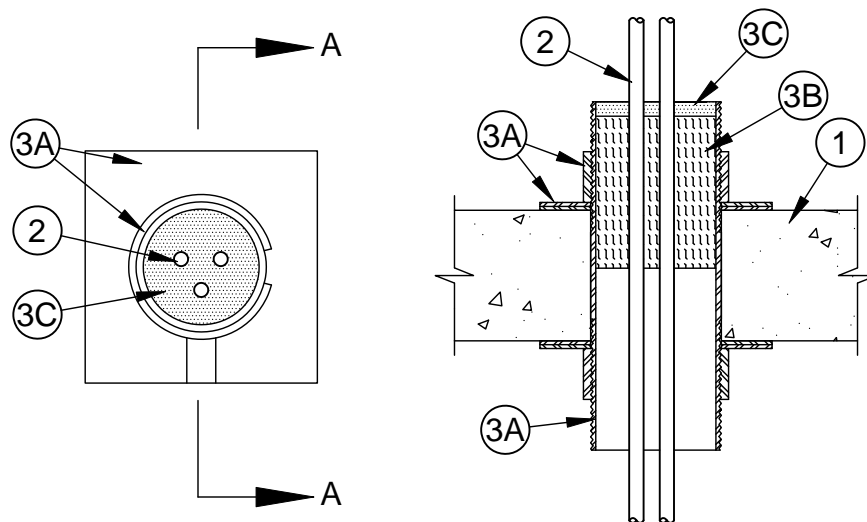


System No. F-A-3010

F Rating - 3 Hr

T Rating - 0 Hr



Section A-A

1. **Wall Assembly** - Min 4-1/2 in. thick reinforced lightweight or normal weight (100-150 pcf) concrete floor. Floor may also be constructed of any min 6 in. thick hollow-core **Precast Concrete Units***. Max diam of opening is 4-1/2 in.
See **Concrete Blocks (CAZT)** category in the Fire Resistance Directory for names of manufacturers.
2. **Cables** - Aggregate cross-sectional area of cables within opening to be min 8 percent to max 48 percent of the aggregate cross-sectional area of the opening. Cables to be rigidly supported on both sides of floor assembly. Any combination of the following types and sizes of cables may be used:
 - A. Max 200 pair No. 24 AWG (or smaller) copper conductor cable with polyvinyl chloride (PVC) jacketing and insulation.
 - B. Max 1/C - 750 kcmil power cable with copper conductors and cross-linked polyethylene (XLPE) jacketing.
 - C. Max 3/C No. 3/0 AWG (or smaller) aluminum or copper conductor service entrance cable with PVC insulation and jacketing.
 - D. Max 3/C No. 8 AWG (or smaller) nonmetallic sheathed (Romex) cable with copper conductors and PVC insulation and jacketing.
 - E. Max 7/C No. 2/0 AWG (or smaller) multiconductor power and control cables with XLPE or PVC insulation and XLPE or PVC jacket.
 - F. Max RG/U (or smaller) coaxial cable with fluorinated ethylene insulation and jacketing.
 - G. Max 62.5/48 fiber optic cable with PVC insulation and jacketing.
 - H. Max 4 pair No. 24 AWG (or smaller) copper conductor data cable with Hylar insulation and jacketing.
3. **Firestop System** - The firestop system shall consist of the following:
 - A. **Firestop Device*** - Threaded steel halves incorporating split nuts and split washers sized to fit the specific diam of the opening. Device shall be installed around cables in accordance with the accompanying installation instructions. Device provided in nom 1, 2 and 4 in. sizes. Max diam of opening in floor for nom 1, 2 and 4 in. size device is 1-1/4, 2-7/16 and 4-1/2 in., respectively.
UNIQUE FIRE STOP PRODUCTS INC - Split Sleeve
 - A1. **Firestop Device*** - (Not Shown) - As an alternate to Item 3A, threaded steel sleeve device incorporating flat washers secured by threaded couplers. Device shall be installed around cables in accordance with the accompanying installation instructions. Device provided in nom 1, 2 and 4 in. sizes. Max diam of opening in floor for nom 1, 2 and 4 in. size device is 1-1/4, 2-7/16 and 4-1/2 in., respectively.
UNIQUE FIRE STOP PRODUCTS INC - Threaded Sleeve



Specified Technologies Inc. 210 Evans Way Somerville, NJ 08876

Reproduced courtesy of Underwriters Laboratories, Inc.

Created or Revised: August 24, 2011

(800)992-1180 • (908)526-8000 • FAX (908)231-8415 • E-Mail:techserv@stifirestop.com • Website:www.stifirestop.com



F-A-3010
PAGE 1 OF 2

- B. **Packing Material** - Min 4 pcf mineral wool batt insulation compressed and tightly packed to fill device to min 3 in. depth with a min 2 in. of the depth within the confines of the floor thickness. Packing material recessed from top edge of device as required to accommodate fill material (Item 3C).
- C. **Fill, Void or Cavity Material* - Sealant or Putty** - Min 1/2 in. thickness of fill material applied within annulus, flush with top edge of steel sleeve.

SPECIFIED TECHNOLOGIES INC - SpecSeal Series SSS Sealant, SpecSeal LCI Sealant or SpecSeal Putty

*Bearing the UL Classification Mark



Specified Technologies Inc. 210 Evans Way Somerville, NJ 08876

Reproduced courtesy of Underwriters Laboratories, Inc.
Created or Revised: August 24, 2011

(800)992-1180 • (908)526-8000 • FAX (908)231-8415 • E-Mail:techserv@stifirestop.com • Website:www.stifirestop.com



F-A-3010
PAGE 2 OF 2