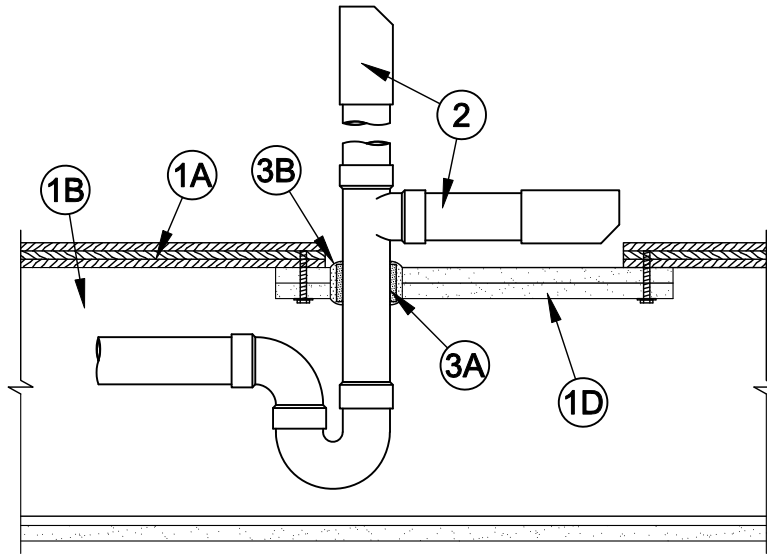


## System No. F-C-2036

F Rating - 1 Hr

T Rating - 1 Hr



1. **Floor-Ceiling Assembly** - The fire-rated solid or trussed lumber joist floor-ceiling assembly shall be constructed of the materials and in the manner specified in individual L500 Series Floor-Ceiling Designs in the UL Fire Resistance Directory. The general construction details of the floor-ceiling assembly are summarized below:
  - A. **Flooring System** - Lumber or plywood subfloor with finish floor of lumber, plywood or **Floor Topping Mixture\*** as specified in the individual Floor Ceiling Design. Rectangular cutout in flooring to accommodate the bathtub drain piping (Item 2) to be max 8 by 12 in.
  - B. **Wood Joists** - Nom 2 by 10 in. lumber joists spaced 16 in. OC with nom 1 by 3 in. lumber bridging and with ends firestopped. As an alternate to lumber joists, nom 10 in. deep (or deeper) lumber, steel or combination lumber and steel joists, trusses or **Structural Wood Members\*** with bridging as required with ends firestopped.
  - C. **Furring Channels** - Resilient galv steel furring installed perpendicular to wood joists (Item 1B) between wallboard (Item 1D) and wood joists as required in the individual Floor-Ceiling Design.
  - D. **Gypsum Board\*** - Nom 4 ft wide by 5/8 in. thick as specified in the individual Floor-Ceiling Design. Wallboard secured to wood joists as specified in the individual Floor-Ceiling Design. Two pieces of gypsum wallboard, each min 4 in. longer and wider than the cutout in the flooring, screw-attached to bottom of flooring concentric with cutout. Diam of opening hole-sawed through both layers of the gypsum wallboard patch to be 1/2 to 5/8 in. larger than outside diam of bathtub drain piping (Item 2).
2. **Drain Piping** - Nom 1-1/2 in. diam Schedule 40 polyvinyl chloride (PVC) or acrylonitrile butadiene styrene (ABS) pipes and drain fittings cemented together and provided with PVC or ABS bathtub waste/overflow fittings, respectively.
3. **Firestop System** - The firestop system shall consist of the following:
  - A. **Fill, Void or Cavity Materials\* - Wrap Strip** - Nom 1/4 in. thick intumescent material faced on both sides with a plastic film, supplied in 1-1/2 in. Nom 1-1/2 in. wide strips tightly-wrapped around drain piping secured together with 1-1/2 in. wide aluminum foil tape and slid into hole-sawed opening in gypsum wallboard patch (Item 1D). Top edge of wrap strip to extend a nom 1/2 in. below above top surface of gypsum wallboard patch.  
**SPECIFIED TECHNOLOGIES INC** - SpecSeal RED Strip
  - B. **Fill, Void or Cavity Materials\* - Sealant** - Nom 1/4 in. thickness of fill material to be applied to perimeter of wrap strip at its egress from the underside of the gypsum wallboard patch. Nom 1/4 in. thickness of fill material to be applied to the exposed edge of the wrap strip layer and to fill all gaps between the wrap strip layer and the tee of the drain fitting on the top surface of the gypsum wallboard patch.  
**SPECIFIED TECHNOLOGIES INC** - SpecSeal Series SSS Sealant or SpecSeal LCI Sealant

\*Bearing the UL Classification Mark



**Specified Technologies Inc. 210 Evans Way Somerville, NJ 08876**

Reproduced courtesy of Underwriters Laboratories, Inc.

Created or Revised: January 2, 2009

(800)992-1180 • (908)526-8000 • FAX (908)231-8415 • E-Mail:techserv@stifirestop.com • Website:www.stifirestop.com



F-C-2036  
PAGE 1 OF 1