

System No. HW-D-0210

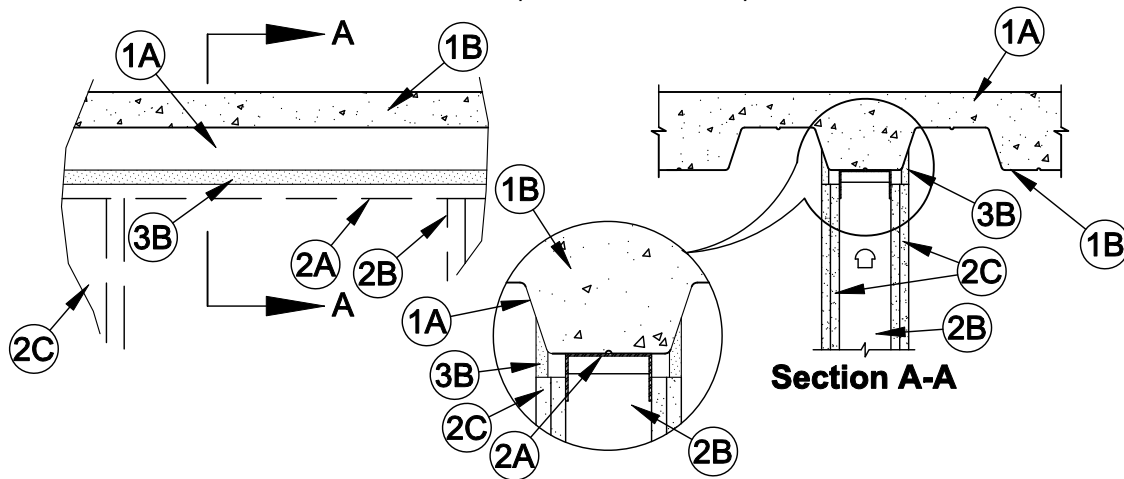
Assembly Ratings - 1 and 2 Hr (See Item 2)

Joint Width - 3/4 in.

L Rating At Ambient - Less Than 1 CFM/Lin Ft

L Rating At 400°F - Less Than 1 CFM/Lin Ft

Class II Movement Capabilities - 25% Compression



1. **Floor Assembly** - The fire-rated fluted steel deck/concrete floor assembly shall be constructed of the materials and in the manner described in the individual Floor-Ceiling Design in the UL Fire Resistance Directory and shall include the following construction features:
 - A. **Steel Floor And Form Units*** - Max 3 in. (76 mm) deep galv steel fluted floor units having a min valley width of 4-3/4 in. (121 mm).
 - B. **Concrete** - Min 2-1/2 in. (64 mm) thick reinforced concrete, as measured from the top plane of the floor units.
- 1A. **Roof Assembly - (Not Shown)** - As an alternate to the floor assembly (Item 1), a fire rated fluted steel deck roof assembly may be used. The roof assembly shall be constructed of the materials and in the manner described in the individual P900 Series Roof-Ceiling Design in the UL Fire Resistance Directory. The hourly fire rating of the roof assembly shall be equal to or greater than the hourly fire rating of the wall assembly. The roof assembly shall include the following construction features:
 - A. **Steel Roof Deck** - Max 3 in. (76 mm) deep galv steel fluted roof deck having a min valley width of 4-3/4 in. (121 mm).
 - B. **Roof Insulation** - Min 2-1/4 in. (57 mm) thick poured insulating concrete, as measured from the top plane of the steel roof deck.
2. **Wall Assembly** - The 1 or 2 hr fire-rated gypsum board/stud wall assembly shall be constructed of the materials and in the manner described in the individual U400 or V400 Series Wall and Partition Design in the UL Fire Resistance Directory and shall include the following construction features:
 - A. **Steel Floor And Ceiling Runners** - Floor and ceiling runners of wall assembly shall consist of galv steel channels sized to accommodate steel studs. When deflection channel (Item 3A) is used, ceiling runner to be provided with min 2 in. (51 mm) flanges. Ceiling runner installed within the deflection channel with a 1/2 in. (13 mm) to 3/4 in. (19 mm) gap maintained between the top of the ceiling runner and the top of the deflection channel. When deflection channel is not used, flange height of ceiling runner shall be min 1/2 in. (13 mm) greater than nom joint width. Ceiling runner installed parallel to fluted steel deck, centered beneath valley, and secured with steel masonry anchors or welds spaced max 24 in. (610 mm) OC.
 - A1. **Light Gauge Framing* - Slotted Ceiling Runner** - As an alternate to the ceiling runner in Item 2A, ceiling runner to consist of galv steel channel with slotted flanges sized to accommodate steel studs (Items 2B). Slotted ceiling runner installed parallel to fluted steel deck, centered beneath valley, and secured with steel masonry anchors or welds spaced max 24 in. (610 mm) OC. When slotted ceiling runner is used, deflection channel (Item 3A) shall not be used.

BRADY CONSTRUCTION INNOVATIONS INC,

DBA SLIPTRACK SYSTEMS - SLP-TRK

CALIFORNIA EXPANDED METAL PRODUCTS CO - CST

CLARKWESTERN BUILDING SYSTEMS INC - Type SLT, SLT-H

MARINO/WARE, DIV OF WARE INDUSTRIES

INC - Type SLT



Specified Technologies Inc. 210 Evans Way Somerville, NJ 08876

Reproduced courtesy of Underwriters Laboratories, Inc.

Created or Revised: June 24, 2011

(800)992-1180 • (908)526-8000 • FAX (908)231-8415 • E-Mail:techserv@stifirestop.com • Website:www.stifirestop.com



HW-D-0210
PAGE 1 OF 2

SCAFCO STEEL STUD MANUFACTURING CO

STEELER INC - Steeler Slotted Ceiling Runner

TELLING INDUSTRIES L L C - True-Action Deflection Track

- A2. **Light Gauge Framing* - Notched Ceiling Runner** - As an alternate to the ceiling runners in Items 2A and 2A1, notched ceiling runners to consist of C-shaped galv steel channel with notched return flanges sized to accommodate steel studs (Item 2B). Notched ceiling runner installed parallel to direction of fluted steel deck, centered beneath valley, and secured with steel masonry anchors spaced max 24 in. (610 mm) OC. When notched ceiling runner is used, deflection channel (Item 3A) shall not be used.

OLMAR SUPPLY INC - Type SCR

- B. **Studs** - Steel studs to be min 3-1/2 in. (89 mm) wide. Studs cut 1/2 in. (13 mm) to 3/4 in. (19 mm) less in length than assembly height with bottom nesting in and secured to floor runner. When deflection channel (Item 3A) is used, steel studs attached to ceiling runner with sheet metal screws located 1/2 in. (13 mm) below the bottom of the deflection channel. When deflection channel is not used, studs to nest in ceiling runner without attachment. When slotted ceiling runner (Item 2A1) is used, steel studs secured to slotted ceiling runner with No. 8 by 1/2 in. (13 mm) long wafer head steel screws at midheight of slot on each side of wall. Stud spacing not to exceed 24 in. (610 mm) OC.
- B1. **Light Gauge Framing* - Slotted Studs** - Slotted steel stud to be used in conjunction with **Light Gauge Framing* - Floor and Ceiling Runners** (Item 2A1). Slotted steel studs to be min 3-1/2 in. (89 mm) wide. Slotted steel studs cut 1/2 in. to 3/4 in. (13 to 19 mm) less in length than assembly height with bottom nesting in and secured to both ceiling and floor runners. Ceiling runner secured to preformed slot within steel stud by means of No. 10 by 3/4 in. (19 mm) long low profile head steel screw. Floor runner attached to bottom of steel stud by means of No. 8 by 1/2 in. (13 mm) long pan head steel screw. Slotted steel stud spacing not to exceed 24 in. (610 mm) OC.

STEELER INC - Steeler Slotted Stud

- C. **Gypsum Board*** - Gypsum board sheets installed to a min total thickness of 5/8 in. (16 mm) and 1-1/4 in. (32 mm) on each side of wall for 1 and 2 hr fire rated assemblies, respectively. Wall to be constructed as specified in the individual Wall and Partition Design in the UL Fire Resistance Directory, except that a nom 3/4 in. (19 mm) gap shall be maintained between the top of the gypsum board and the bottom surface of the steel floor units. In addition, the top row of screws shall be installed into the steel studs 1/2 to 1 in. (13 to 25 mm) below the bottom edge of the ceiling runner flange.

The hourly fire rating of the joint system is equal to the hourly fire rating of the wall assembly in which it is installed.

3. **Joint System - Max separation between bottom of floor or roof deck and top of wall is 3/4 in. (19 mm). The joint system is designed to accommodate a max 25 percent compression from its installed width.** The joint system consists of the following:
- A. **Deflection Channel - (Optional, Not Shown)** - Max 2 in. (51 mm) deep min 24 gauge galv steel channel sized to accommodate ceiling runner (Item 2A). Deflection channel installed parallel to direction of fluted steel deck, centered beneath valley, and secured with steel masonry anchors or welds spaced max 24 in. (610 mm) OC. The ceiling runner is installed within the deflection channel to maintain a 1/2 in. to 3/4 in. gap (13 to 25 mm) between the top of the ceiling runner and the top of the deflection channel. The ceiling runner is not fastened to the deflection channel.
- B. **Forming Material - (Optional, Not Shown)** - In 2 hr fire rated wall assemblies, foam backer rod friction fit into joint opening and recessed min 1/2 in. (13 mm) from each surface of wall.
- C. **Fill, Void or Cavity Material* - Sealant** - Min 1/2 in. (13 mm) thickness of fill material applied within joint opening on both sides of wall, flush with both surfaces of wall. As an option in 1 hr fire rated walls, bond breaker tape applied to ceiling channel (Item 2A) or deflection channel (Item 3A) prior to installation of fill material.

SPECIFIED TECHNOLOGIES INC - SpecSeal ES Elastomeric Sealant

*Bearing the UL Classification Mark



Specified Technologies Inc. 210 Evans Way Somerville, NJ 08876

Reproduced courtesy of Underwriters Laboratories, Inc.
Created or Revised: June 24, 2011

(800)992-1180 • (908)526-8000 • FAX (908)231-8415 • E-Mail:techserv@stifirestop.com • Website:www.stifirestop.com



HW-D-0210
PAGE 2 OF 2