



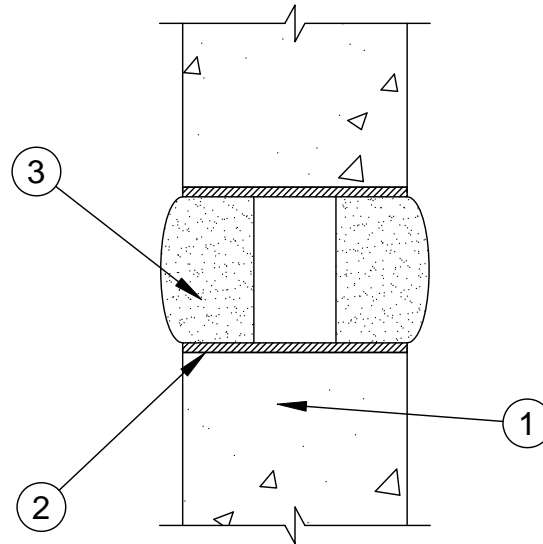
System No. W-J-0018

F Rating - 2 Hr

T Ratings - 0 and 1 Hr (See Item 2)

L Rating At Ambient - Less Than 1 CFM/sq ft

L Rating At 400 F - Less Than 1 CFM/sq ft



1. **Wall Assembly** - Min 6 in. (152 mm) thick reinforced lightweight or normal weight (100-150 pcf or 1600-2400 kg/m³) concrete. Wall may also be constructed of any UL Classified **Concrete Blocks***.

See **Concrete Blocks** (CAZT) category in the Fire Resistance Directory for the names of manufacturers.

2. **Steel Sleeve** - Nom 2 in. (51 mm) or 4 in. (102 mm) diam sleeve cut from Schedule 5 (or heavier) steel pipe, rigid steel conduit or electrical metallic tubing. Sleeve to be cast or grouted into wall assembly flush with wall surfaces or may extend up to 12 in. (305 mm) beyond either or both wall surfaces.

When sleeve extends beyond wall surface, the T Rating is 0 hr.

3. **Firestop System** - The firestop system shall consist of the following:
 - A. **Fill, Void or Cavity Materials* - Plug** - Nom 2 in. (51 mm) or 4 in. (102 mm) diam plug firmly installed within the sleeve or opening on each side of wall such that the outer circumference of the dome-shaped plug is flush with the surface of the wall or the end of the sleeve.

SPECIFIED TECHNOLOGIES INC - SpecSeal Series FP Firestop Plug

*Bearing the UL Classification Mark



Specified Technologies Inc. 210 Evans Way Somerville, NJ 08876

Reproduced courtesy of Underwriters Laboratories, Inc.

Created or Revised: February 17, 2010

(800)992-1180 • (908)526-8000 • FAX (908)231-8415 • E-Mail:techserv@stifirestop.com • Website:www.stifirestop.com



W-J-0018
PAGE 1 OF 1