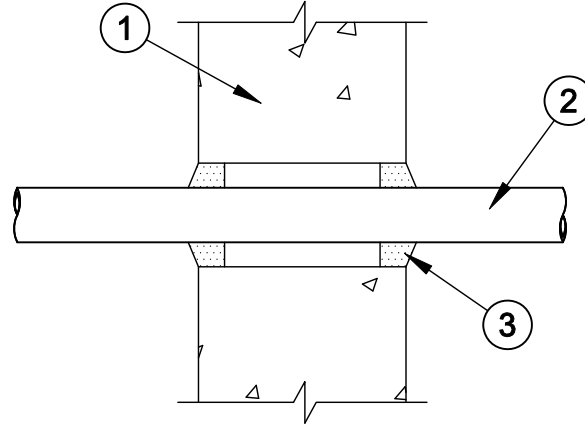
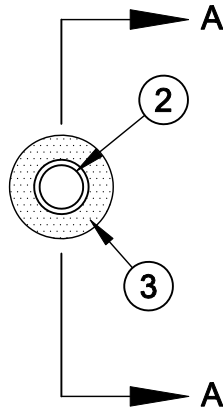




System No. W-J-2021

F Rating - 2 Hr
T Ratings - 0, 1/4 and 1-1/2 Hr (See Item 2)
L Rating At Ambient-Less Than 1 cfm/sq ft
L Rating At 400 F-Less Than 1 cfm/sq ft



Section A-A

- 1. **Wall Assembly** - Min 6 in. thick reinforced lightweight or normal weight (100-150 pcf) concrete. Wall may also be constructed of any UL Classified **Concrete Blocks***. Max diam of opening is 3-1/2 in.

See **Concrete Blocks** (CAZT) category in the Fire Resistance Directory for the names of manufacturers.

- 2. **Nonmetallic Pipe** - One nonmetallic pipe or tubing to be centered within the firestop system. Pipe or tubing to be rigidly supported on both sides of wall assembly. The following types of nonmetallic pipes or tubing may be used:
 - A. **Polybutylene Pipe** - Nom 1 in. diameter (or smaller) SDR 11 (or heavier) polybutylene (PB) pipe for use in closed (process or supply) piping systems. A nom annular space of 1/4 in. is required within the firestop system.
 - B. **Cross Linked Polyethylene (PEX) Tubing** - Nom 1 in. diam (or smaller) SDR 9 PEX tubing for use in closed (process or supply) piping systems. A nom annular space of 1/4 in. is required within the firestop system.
 - C. **Acrylonitrile Butadiene Styrene (ABS) Pipe** - Nom 1-1/2 in. diam (or smaller) Schedule 40 cellular or solid core ABS pipe for use in closed (process or supply) or vented (drain, waste or vent) piping systems. The annular space shall be min 1/4 in. to max 1 in.
 - D. **Polyvinyl Chloride (PVC) Pipe** - Nom 2 in. diam (or smaller) Schedule 40 cellular or solid core PVC pipe for use in closed (process or supply) or vented (drain, waste or vent) piping systems. The annular space shall be min 0 in. (point contact) to max 1 in. .
 - E. **Chlorinated Polyvinyl Chloride (CPVC) Pipe** - Nom 2 in. diam (or smaller) SDR 17 CPVC pipe for use in closed (process or supply) or vented (drain, waste or vent) piping systems. The annular space shall be 0 in. (point contact) to max 1 in.

The hourly T Rating of the firestop system is dependent on the type of through penetrant used as shown in the table below:

Type of Thought Penetrant	T Rating, Hr
PB pipe, PEX Tubing	1-1/2
PVC or CPVC pipe	1/4
ABS pipe	0

- 3. **Fill, Void or Cavity Material* - Sealant** - Min 5/8 in. thickness of fill material applied within annulus, flush with both surfaces of wall. Additional fill material to be installed such that min 1/4 in. thick crown is formed around the penetrating item.

SPECIFIED TECHNOLOGIES INC - SpecSeal Series SSS Sealant or SpecSeal LCI Sealant

*Bearing the UL Classification Mark



Specified Technologies Inc. 210 Evans Way Somerville, NJ 08876

Reproduced courtesy of Underwriters Laboratories, Inc.
Created or Revised: January 2, 2009

(800)992-1180 • (908)526-8000 • FAX (908)231-8415 • E-Mail:techserv@stifirestop.com • Website:www.stifirestop.com

