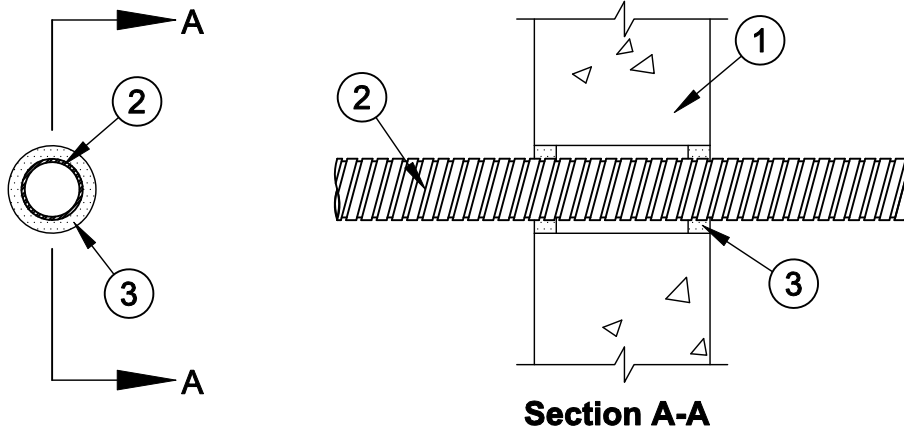


System No. W-J-3041

F Rating - 2 Hr
 T Ratings - 1/2 and 2 Hr (See Item 3)
 L Rating At Ambient - 8 CFM/sq ft
 L Rating At 400 F - Less Than 1 CFM/sq ft



1. **Wall Assembly** - Min 5 in. thick reinforced lightweight or normal weight (100-150 pcf) concrete. Wall may also be constructed of any UL Classified **Concrete Blocks***. Max diam of opening is 2-1/2 in.
 See **Concrete Blocks (CAZT)** category in the Fire Resistance Directory for names of manufacturers.
2. **Through-Penetrating Product*** - Max four copper conductor No. 5 AWG (or smaller) aluminum or steel **Metal-Clad Cable+**. Max one metal-clad cable centered within the firestop system. The annular space between the through-penetrating product and the periphery of the opening shall be a nom 3/8 in. Through-penetrating product to be rigidly supported on both sides of wall assembly.

NORTHERN CABLES INC

- 2A. **Cables** - (Not Shown) - As an alternate to Item 2, one cable to be centered within the firestop system. A nom annular space of 1/4 in. is required within the firestop system. Cable to be rigidly supported on both sides of wall assembly. The following types and sizes of cables may be used:
 - A. Max 50 pair No. 24 AWG (or smaller) copper conductor telephone cables with polyvinyl chloride (PVC) insulation and jacket materials.
 - B. Max 3/C (with ground) No. 10 AWG (or smaller) PVC insulated and jacketed nonmetallic sheathed (Romex) cable.
 - C. Max 3/C (with ground) No. 5 AWG aluminum conductor service entrance cable with PVC insulation and jacket materials.
3. **Fill, Void or Cavity Material* - Sealant or Putty** - Fill material applied within the annulus flush with both surfaces of wall. Additional fill material to be installed such that a min 1/4 in. crown is formed around the penetrating item. The T Rating of the firestop system is dependent upon the type of through penetrant and type and thickness of fill material as tabulated below:

Type of Thought Penetrant	Type of Fill Mtl	Thkns of Fill Mtl in.	T Rating Hr
Telephone Cable	Sealant	5/8	2
Telephone Cable	Putty	3/4	2
Romex Cable	Sealant	5/8	2
Romex Cable	Putty	3/4	2
Service Cable	Sealant	5/8	1/2
Metal Clad Cable	Sealant	5/8	1/2

SPECIFIED TECHNOLOGIES INC - SpecSeal Series SSS Sealant, SpecSeal LCI Sealant or SpecSeal Putty.

*Bearing the UL Classification Marking

+Bearing the UL Listing Mark



Specified Technologies Inc. 210 Evans Way Somerville, NJ 08876

Reproduced courtesy of Underwriters Laboratories, Inc.
 Created or Revised: January 2, 2009

(800)992-1180 • (908)526-8000 • FAX (908)231-8415 • E-Mail:techserv@stifirestop.com • Website:www.stifirestop.com

