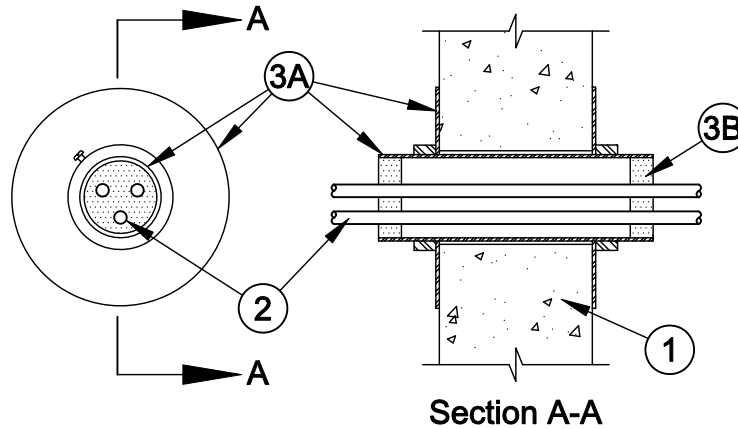




## System No. W-J-3048

F Rating - 2 Hr  
T Rating - 0 Hr



1. **Wall Assembly** - Min 6 in. thick reinforced lightweight or normal weight (100-150 pcf) concrete. Wall may also be constructed of any UL Classified **Concrete Blocks\***.

See **Concrete Blocks** (CAZT) category in the Fire Resistance Directory for names of manufacturers.

2. **Cables** - Aggregate cross-sectional area of cables in Smooth Sleeve to be min 8 percent to max 48 percent of the aggregate cross-sectional area of the Smooth Sleeve. Cables to be rigidly supported on both sides of wall assembly. Any combination of the following types and sizes of cables may be used:

- A. Max 200 pair No. 24 AWG (or smaller) copper conductor cable with polyvinyl chloride (PVC) jacketing and insulation.
- B. Max 1/C, 750 kcmil power cable with copper conductors and cross-linked polyethylene (XLPE) jacketing.
- C. Max 3/C No. 2/0 AWG (or smaller) aluminum or copper conductor service entrance cable with PVC insulation and jacket.
- D. Max 3/C No. 8 AWG (or smaller) nonmetallic sheathed (Romex) cable with copper conductors, PVC insulation and jacket.
- E. Max 7/C No. 2/0 AWG (or smaller) multiconductor power and control cables with XLPE or PVC insulation and XLPE or PVC jacket.
- F. Max RG59/U (or smaller) coaxial cable with fluorinated ethylene insulation and jacketing.
- G. Max 62.5/48 fiber optic cable with PVC insulation and jacketing.
- H. Max 4 pair No. 24 AWG (or smaller) copper conductor category 5 with Hylar insulation and jacket.

3. **Firestop System** - The firestop system shall consist of the following:

- A. **Firestop Device\*** - Smooth steel sleeve device incorporating flat washers secured by sliding compression couplers. Device shall be installed around cables in accordance with the accompanying installation instructions. Device provided in nom 1, 2 and 4 in. sizes. Max diam of opening in wall for 1, 2 and 4 in. size devices are 1-1/4, 2-7/16 and 4-1/2 in. respectively.

**UNIQUE FIRE STOP PRODUCTS INC** - Smooth Sleeve

- B. **Fill, Void or Cavity Material\* - Sealant or Putty** - Min 1 in. thickness of fill material applied within the Smooth Sleeve, flush with both ends

**SPECIFIED TECHNOLOGIES INC** - SpecSeal Series SSS Sealant, SpecSeal LCI Sealant or SpecSeal Putty.

\*Bearing the UL Classification Mark



**Specified Technologies Inc. 210 Evans Way Somerville, NJ 08876**

Reproduced courtesy of Underwriters Laboratories, Inc.  
Created or Revised: January 2, 2009

(800)992-1180 • (908)526-8000 • FAX (908)231-8415 • E-Mail:techserv@stifirestop.com • Website:www.stifirestop.com



W-J-3048  
PAGE 1 OF 1