



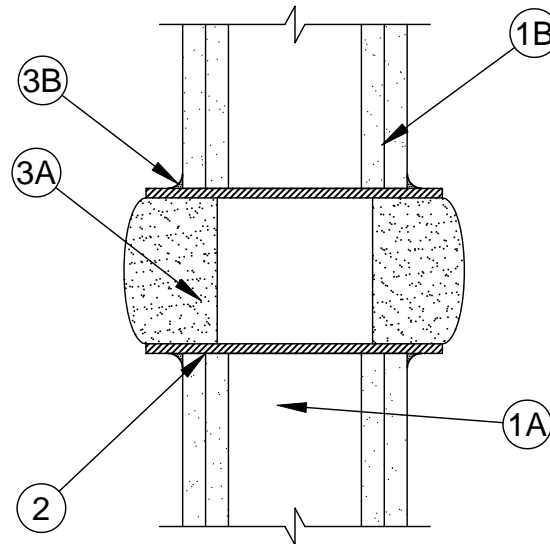
System No. W-L-0032

F Ratings - 1 and 2 Hr (See Item 1)

T Rating - 0 Hr

L Rating At Ambient - Less than 1 CFM/sq ft

L Rating At 400 F - Less than 1 CFM/sq ft



1. **Wall Assembly** - The 1 hr or 2 hr fire rated gypsum board/stud wall assembly shall be constructed of the materials and in the manner specified in the individual U300, U400 or V400 Series Wall and Partition Designs in the Fire Resistance Directory and shall include the following construction features:

- A. **Studs** - Wall framing shall consist of either wood studs or channel shaped steel studs. Wood studs to consist of 2 by 4 in. (51 by 102 mm) lumber spaced max 16 in. (406 mm) OC. Steel studs to be min 3-1/2 in. (89 mm) wide spaced max 24 in. (610 mm) OC.
- B. **Gypsum Board*** - The gypsum board type, number of layers and sheet orientation shall be as specified in the individual Wall and Partition design.

The hourly F Rating of the firestop system is equal to the hourly fire rating of the wall assembly in which it is installed.

2. **Steel Sleeve** - Nom 2 in. (51 mm) or 4 in. (102 mm) diam Schedule 5 (or heavier) steel sleeve, rigid steel conduit or electrical metallic tubing. Sleeve friction fit into wall openings and extending min 1/2 in. (13 mm) to max 2-1/2 in. (64 mm) beyond wall surfaces.

3. **Firestop System** - The firestop system shall consist of the following:

- A. **Fill, Void or Cavity Materials* - Plug** - Nom 2 in. (51 mm) or 4 in. (102 mm) diam plug firmly installed within the sleeve or opening on each side of wall such that the outer circumference of the dome-shaped plugs are flush with the surface of the wall or the end of the sleeve.

SPECIFIED TECHNOLOGIES INC - SpecSeal Series FP Firestop Plug

- B. **Fill, Void or Cavity Material* - Sealant** - A min 1/2 in. (13 mm) bead of sealant shall be applied at sleeve/wall interface on both sides of wall.

SPECIFIED TECHNOLOGIES INC - SpecSeal Series SSS Sealant, SpecSeal LCI Sealant, Pensil 300 Sealant, SpecSeal SIL300 Silicone Firestop Sealant

*Bearing the UL Classification Mark



Specified Technologies Inc. 210 Evans Way Somerville, NJ 08876

Reproduced courtesy of Underwriters Laboratories, Inc.

Created or Revised: February 17, 2010

(800)992-1180 • (908)526-8000 • FAX (908)231-8415 • E-Mail:techserv@stifirestop.com • Website:www.stifirestop.com



W-L-0032
PAGE 1 OF 1