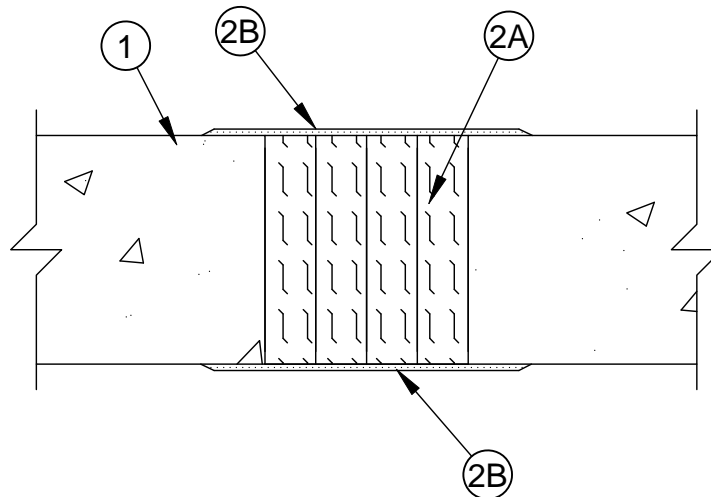




System No. WW-D-1037

Assembly Rating-3 Hr
Nominal Joint Width-4 In.

Class II Movement Capabilities-25% Compression



1. **Wall Assembly** - Min 4-1/2 in. (114 mm) thick reinforced lightweight or normal weight (100-150 pcf or 1600-2400 kg/m³) structural concrete. Wall may also be constructed of any UL Classified **Concrete Blocks***.
See **Concrete Blocks** (CAZT) category in the Fire Resistance Directory for names of manufacturers.
 2. **Joint System - Max width of joint (at time of installation of joint system) is 4 in. (102 mm). The joint system is designed to accommodate a max 25 percent compression or extension from its installed width.** The joint system shall consist of forming and fill materials, as follows:
 - A. **Forming Material*** - Min 4 pcf (64 kg/m³) mineral wool batt insulation installed in joint opening as a permanent form. Pieces of batt cut to min width of 4-1/2 in. (114 mm) and installed edge-first into joint opening, parallel with joint direction, such that batt sections are compressed min 50 percent in thickness and such that the compressed batt sections are flush with each surface of the wall. Adjoining lengths of batt to be tightly butted with butted seams spaced min 16 in. (406 mm) apart along the length of the joint.
FIBREX INSULATIONS INC - FBX Safing Insulation
IIG MINWOOL L L C - MinWool-1200 Safing
ROCK WOOL MANUFACTURING CO - Delta Board
ROCKWOOL MALAYSIA SDN BHD - SAFE
ROXUL INC - SAFE
THERMAFIBER INC - Type SAF
 - B. **Fill, Void or Cavity Material* - Sealant** - Min 1/8 in. (3.2 mm) wet thickness or (1/16 in. (1.6 mm) dry) thickness of fill material applied to cover the surface of the mineral wool batt forming material and to lap min 1/2 in. (13 mm) onto the concrete on each side of the joint opening on both sides of the wall.
SPECIFIED TECHNOLOGIES INC - SpecSeal AS200 Elastomeric Spray
- *Bearing the UL Classification Mark



Specified Technologies Inc. 210 Evans Way Somerville, NJ 08876

Reproduced courtesy of Underwriters Laboratories, Inc.
Created or Revised: April 19, 2011

(800)992-1180 • (908)526-8000 • FAX (908)231-8415 • E-Mail:techserv@stifirestop.com • Website:www.stifirestop.com



WW-D-1037
PAGE 1 OF 1