



System No. C-AJ-0126

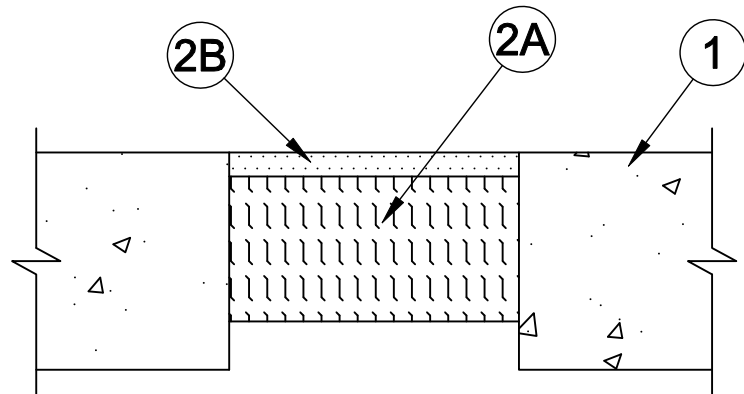
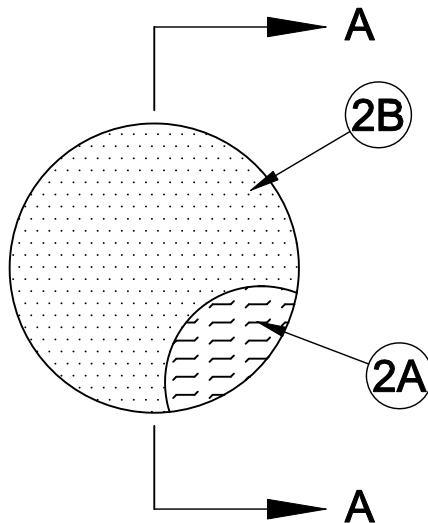
F Rating - 2 Hr

T Ratings - 1 and 2 Hr (See Item 1A)

L Rating At Ambient - Less Than 1 CFM/sq ft

L Rating At 400 F - Less Than 1 CFM/sq ft

W Rating - Class 1 (See Item 2B)



Section A-A

1. **Floor or Wall Assembly** - Min 4-1/2 in. (114 mm) thick reinforced lightweight or normal weight (100-150 pcf or 1600-2400 kg/m³) concrete. Wall may also be constructed of any UL Classified **Concrete Blocks***. Max diam of opening is 6 in. (152 mm).

See **Concrete Blocks** (CAZT) category in the Fire Resistance Directory for names of manufacturers.

1A. **Steel Sleeve** - (Optional, Not Shown) - Nom 6 in. (152 mm) diam Schedule 5 (or heavier) steel pipe sleeve or nom 26 ga sheet steel sleeve cast into concrete flush with top surface of floor or both surfaces of wall.

The T Rating is 1 hr when a steel sleeve is used and 2 hr when no steel sleeve is used.

2. **Firestop System** - The firestop system shall consist of the following:

A. **Packing Material** - Min 3 in. (76 mm) depth of min 4 pcf (64 kg/m³) mineral wool batt insulation firmly packed into opening as a permanent form. Packing material to be recessed from top surface of floor or from both surfaces of wall as required to accommodate the required thickness of fill material.

B. **Fill, Void or Cavity Material* - Sealant** - Min 1/4 in. (6 mm) depth of fill material applied within the annulus. Fill material installed flush with top surface of floor or both surfaces of wall. A min 1/16 in. (1.6 mm) thick film of sealant shall be applied to lap min 1/2 in. (13 mm) onto concrete around perimeter of opening.

SPECIFIED TECHNOLOGIES INC - Pensil 300 Sealant or SpecSeal Series SIL300 Sealant for floors and walls and Pensil 300 S/L Sealant or SpecSeal Series SIL300SL Sealant for floors only.

W Rating applies only when Pensil 300, Pensil 300 S/L, SpecSeal Series SIL300 or SpecSeal Series SIL300SL Sealants are used.

*Bearing the UL Classification Mark

FOR CANADIAN APPLICATIONS:

When evaluated in accordance with ULC-S115, this system has the following ratings:

System No.	Rating Hr.			
	F	FT	FH	FTH
C-AJ-0126	2	1 & 2	2	1 & 2

For more information, please see the XHHW7.R14288 section in the UL Fire Resistance Directory entitled Fill, Void or Cavity Materials Certified for Canada.



Specified Technologies Inc. 210 Evans Way Somerville, NJ 08876

Reproduced courtesy of Underwriters Laboratories, Inc.

Created or Revised: October 09, 2009

(800)992-1180 • (908)526-8000 • FAX (908)231-8415 • E-Mail:techserv@stifirestop.com • Website:www.stifirestop.com



C-AJ-0126
PAGE 1 OF 1