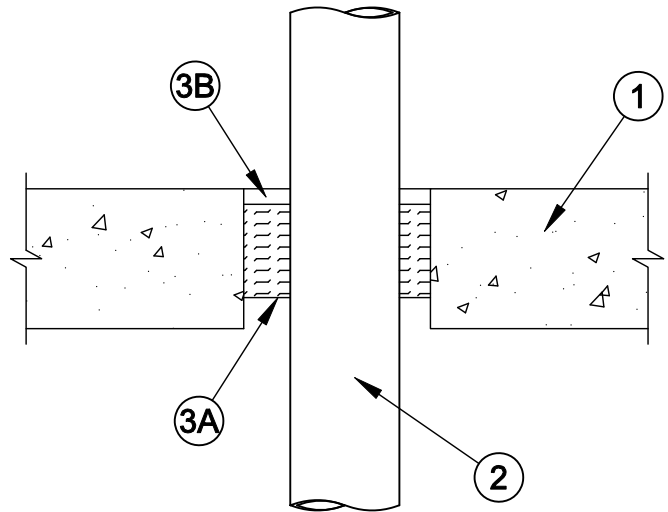
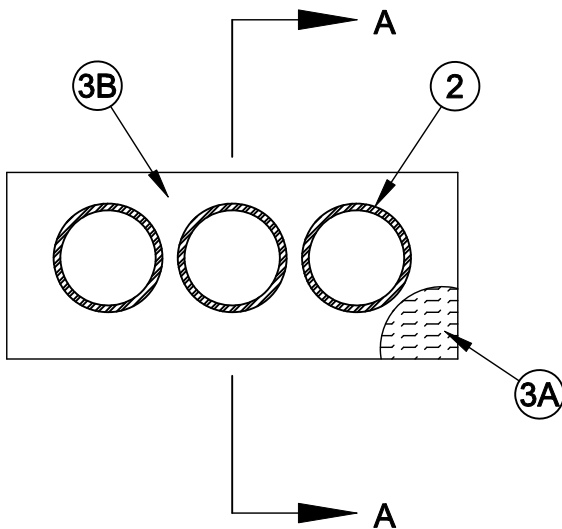




System No. C-AJ-1208

F Rating - 3 Hr

T Rating - 0 Hr



Section A-A

- 1. **Floor or Wall Assembly** - Min 4-1/2 in. (114 mm) thick reinforced lightweight or normal weight (100-150 pcf or 1600-2400 kg/m³) concrete. Wall may also be constructed of any UL Classified **Concrete Blocks***. Max area of opening is 87 sq in. (561 cm²) with max dimension of 14-1/2 in. (368 mm).

See **Concrete Blocks** (CAZT) category in the Fire Resistance Directory for names of manufacturers.

- 2. **Through Penetrants** - One or more pipes, conduits or tubing may be installed within the opening. The annular space between pipes, conduits or tubing and periphery of opening shall be min 1 in. (25 mm) to max 1-1/2 in. (38 mm). The space between pipes, conduits or tubing shall be min 1/2 in. (13 mm) to max 1-1/2 in. (38 mm). Pipes, conduits or tubing to be rigidly supported on both sides of floor or wall assembly. The following types and sizes of metallic pipes, conduits or tubing may be used:

- A. **Steel Pipe** - Nom 3 in. (76 mm) diam (or smaller) Schedule 5 (or heavier) steel pipe.
- B. **Conduit** - Nom 3 in. (76 mm) diam (or smaller) steel electrical metallic tubing, nom 3 in. (76 mm) diam (or smaller) rigid steel conduit or nom 1 in. (25 mm) diam (or smaller) flexible steel conduit.
- C. **Copper Tubing** - Nom 3 in. (76 mm) diam (or smaller) Type M (or heavier) copper tubing.
- D. **Copper Pipe** - Nom 3 in. (76 mm) diam (or smaller) Regular (or heavier) copper pipe.

- 3. **Firestop System** - The firestop system shall consist of the following:

- A. **Packing Material** - Min 3 in. (76 mm) thickness of min 4 pcf (64 kg/m³) mineral wool batt insulation firmly packed into opening as a permanent form. Packing material to be recessed from top surface of floor or from both surfaces of wall as required to accommodate the required thickness of fill material.
- B. **Fill, Void or Cavity Material* - Sealant** - Min 1/2 in. (13 mm) thickness of fill material applied within the annulus, flush with top surface of floor or with both surfaces of wall assembly.

SPECIFIED TECHNOLOGIES INC - SpecSeal LC150 Sealant, SpecSeal LE600 Sealant

*Bearing the UL Classification Mark

FOR CANADIAN APPLICATIONS:

When evaluated in accordance with ULC-S115, this system has the following ratings:

System No.	Rating Hr.			
	F	FT	FH	FTH
CAJ1208	3	0	3	0

For more information, please see the XHHW7.R14288 section in the UL Fire Resistance Directory entitled Fill, Void or Cavity Materials Certified for Canada.



Specified Technologies Inc. 210 Evans Way Somerville, NJ 08876

Reproduced courtesy of Underwriters Laboratories, Inc.

Created or Revised: October 09, 2009

(800)992-1180 • (908)526-8000 • FAX (908)231-8415 • E-Mail:techserv@stifirestop.com • Website:www.stifirestop.com

