

STI/PH 120-01

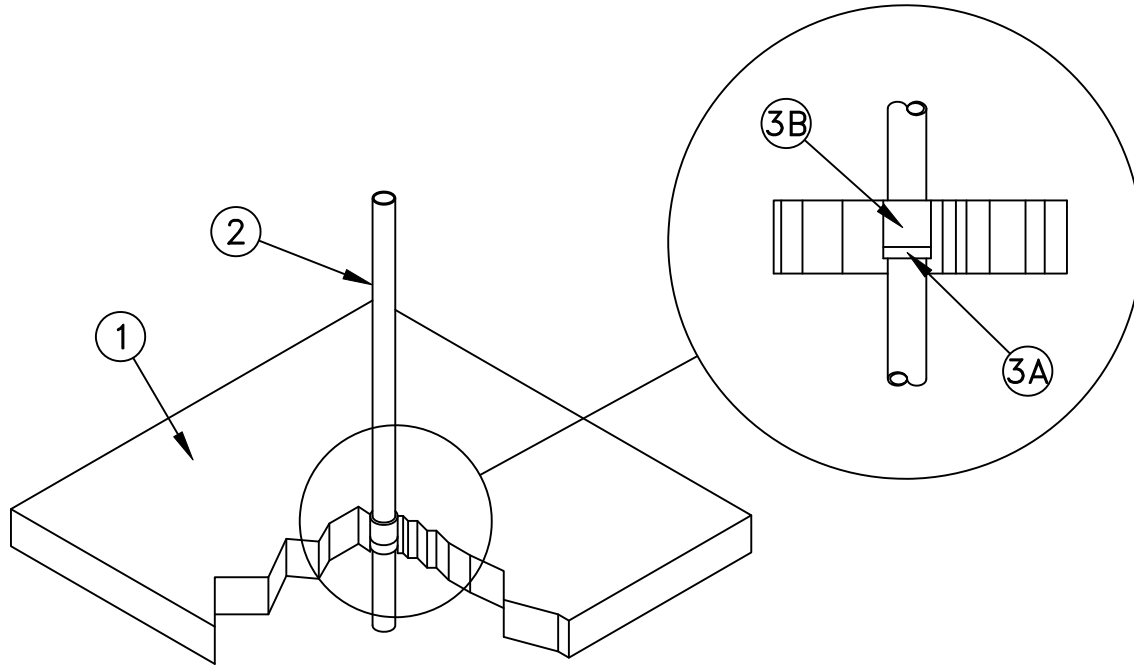
Through Penetration

SpecSeal LCI Intumescent Sealant

CAN/ULC S115-05 at 50Pa (0.20" of Water)

F-Rating - 120 Minute

FT-Rating - 12 Minute



- 1. FLOOR/CEILING ASSEMBLY** - Use a two-hour fire-rated floor/ceiling assembly consisting of minimum 114mm (4-1/2 inch) thick normal weight (100-150 pcf) reinforced concrete. Create a round through opening with diameter of 76.2mm (3 inch).
- 2. PENETRATING ITEM** - Eccentrically position in the opening made in the Floor/Ceiling Assembly (Item 1) a nominal 51mm (2 inch) diameter Schedule 40 PVC pipe for use in vented piping system. Establish an annular space between the Penetrating Item (Item 2) and the edge of the opening in the Floor/Ceiling Assembly (Item 1) so that a minimum annular space of 6.4mm (1/4 inch) and a maximum annular space of 9.5mm (3/8 inch) between the Penetrating Item (Item 2) and the edge of the opening in the Floor/Ceiling Assembly (Item 1).
- 3. FILL, VOID OR CAVITY MATERIAL** - Apply the following materials to the annular space between the Floor/ceiling Assembly (Item 1) and the Penetrating Item (Item 2)
 - A. Install polyethylene backer rod into opening as a permanent form to facilitate installation of Sealant (Item 3B).
 - B. **CERTIFIED MANUFACTURER:** Specified Technologies Inc. **CERTIFIED PRODUCT:** Sealant **MODEL:** SpecSeal LCI Intumescent Sealant Apply a minimum 76.2mm (3 inch) depth of sealant fill material to the annular space between the Floor/Ceiling Assembly (Item 1) and the Penetrating Item (Item 2) to the annular space flush with the top of the Floor/Ceiling Assembly (Item 1).



Specified Technologies Inc. 210 Evans Way Somerville, NJ 08876

Reproduced courtesy of Intertek Testing Services NA Ltd.

Created or Revised: October 21, 2009

(800)992-1180 • (908)526-8000 • FAX (908)231-8415 • E-Mail:techserv@stifirestop.com • Website:www.stifirestop.com

STI/PH 120-01

PAGE 1 OF 1