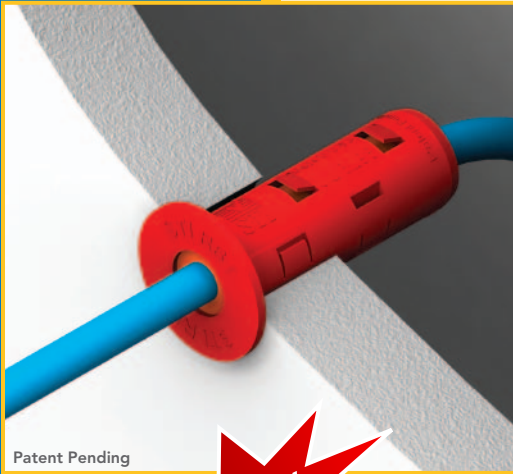
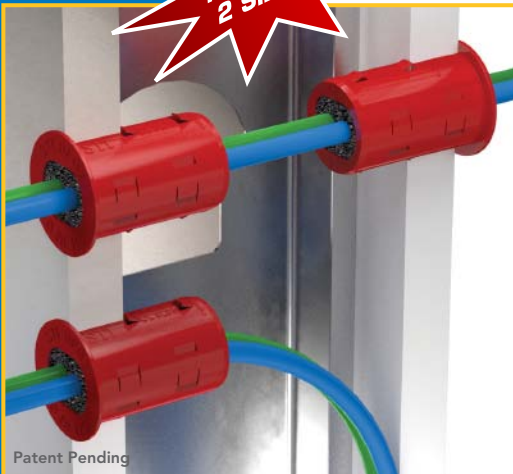


READY® FIRESTOP GROMMET



Patent Pending



Patent Pending

Small Cable Penetrations Through Fire-Rated Walls?

Eliminate Sleeves, Sealant, And Putty With The New Ready Firestop Grommet From STI

Penetrations for one or two small cables can be time consuming, expensive, and messy. Ready Firestop Grommets make membrane and through-penetrations through rated gypsum board walls a snap. Just drill a hole, run your cable, snap the grommet around the cable, and press it into the wall. Use a single grommet for single sided (membrane) penetrations, or drill a hole through both sides of the wall and install grommets back-to-back for through-penetrations.

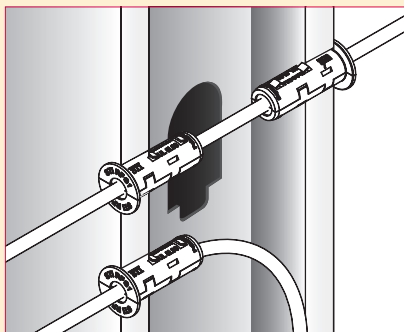
Ready Firestop Grommet is molded from a premium grade plenum-rated polymer. A soft foam inner core conforms to the cable to form a tight seal. The cable is smoke-sealed and firestopped in just minutes with no sleeve, sealant, or putty required!

Features & Benefits

- **Quick to install** - 2 piece grommet snaps together for an easy installation
- **Economical** - Eliminates Sleeves and the need for putty or sealant
- **Split design** - Can be used with previously installed cables
- **Can be used for data cables (CAT5, CAT6), alarm, security and electrical cables**
- **Made with Ultem® premium, plenum-grade material** - Exceptional flame & heat resistance

* Consult STI engineering for a complete list of approved cable types
Ultem® is a trademark of SABIC Innovative Plastics IP BV

Single Membrane or Through-Penetrations



Install a single grommet for membrane penetrations or two grommets back-to-back for through-penetrations.

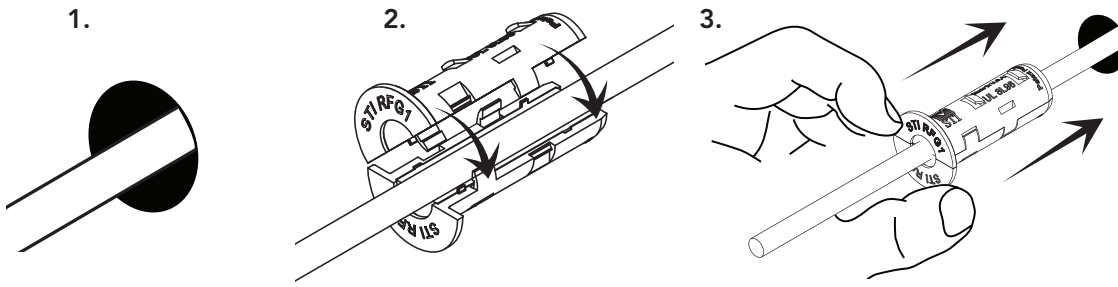
APPLICATIONS

- One or more cables with total O.D. up to 0.27" (7 mm) for RFG1 or 0.53" (14 mm) for RFG2
- 1 & 2 Hr rated gypsum board walls
- Single Membrane or Through-Penetrations



FIRESTOP DEVICE FOR USE IN THROUGH-PENETRATION FIRESTOP SYSTEMS. SEE UL FIRE RESISTANCE DIRECTORY.
8L98

INSTALLATION IS FAST & EASY!



1. Drill appropriately sized hole (9/16" for RFG1, 1" for RFG2) and install the cable.
2. Place grommet halves around cable and snap together.
3. Push the grommet into the wall.

PERFORMANCE

Ready Firestop Grommets were tested to meet the exacting criteria of ASTM E814 (UL1479) and CAN/ULC S115. Tested systems provide up to 2 hr fire ratings for single cable penetrations in gypsum board/stud wall assemblies.

PHYSICAL PROPERTIES:	
Color	Red
Shelf Life	N.A.
Plenum Grade	Yes
V.O.C. Content	N.A.
Leakage Rating	Less Than 1 CFM (ANSI/UL1479)
In-Service Temperature	<130° F (54° C)

DIMENSIONS:	RFG1	RFG2
Overall Length	1-5/8" (41 mm)	1-5/8" (41 mm)
Installed Depth (from wall surface)	1-9/16" (40 mm)	1-9/16" (40 mm)
Max Cable O.D.	0.27" (7 mm)	0.53" (14 mm)
Required Opening	9/16" (14 mm)	1" (25 mm)



ORDERING INFORMATION

UPC #	CAT NO.	DESCRIPTION	UNIT QUANTITY	CASE QUANTITY
25058	RFG1	Two-piece split cable grommet for small cable penetrations up to 0.27 in. (7 mm) O.D.	1 Blister Pack 10 Grommets per Blister	10 Blister Packs
25059	RFG2	Two-piece split cable grommet for small cable penetrations up to 0.53 in. (14 mm) O.D.	1 Blister Pack 10 Grommets per Blister	10 Blister Packs

WARRANTY

Specified Technologies Inc. manufactures its goods in a manner to be free of defects. Should any defect occur in its goods (within one year), Specified Technologies Inc., upon prompt notification, will at its option, exchange or repair the goods or refund the purchase price.

LIMITATIONS AND EXCLUSIONS

THIS WARRANTY IS IN LIEU OF ALL OTHER REPRESENTATIONS EXPRESSED OR IMPLIED (INCLUDING THE IMPLIED WARRANTIES OF MERCHANTABILITY FOR FITNESS FOR USE) AND UNDER NO CIRCUMSTANCES SHALL SPECIFIED TECHNOLOGIES INC., BE RESPONSIBLE FOR ANY INCIDENTAL OR CONSEQUENTIAL PROPERTY DAMAGE OR LOSSES. PRIOR TO USE, THE USER SHALL DETERMINE THE SUITABILITY OF THE PRODUCT FOR ITS INTENDED USE, AND THE USER ASSUMES ALL RISKS AND LIABILITY FOR SUBSEQUENT USE.

No statement or recommendations not contained herein shall have any force or effect unless in an agreement signed by officers of seller and manufacturer.

MADE IN THE USA



Somerville, NJ 08876 USA • T: 800-992-1180 • F: (908) 526-9623 • www.stifirestop.com • ZSTI3354

SpecSeal® is a registered trademark of Specified Technologies Inc. UL® is a registered trademark of Underwriters Laboratories, Inc. Copyright 2010, All rights reserved.